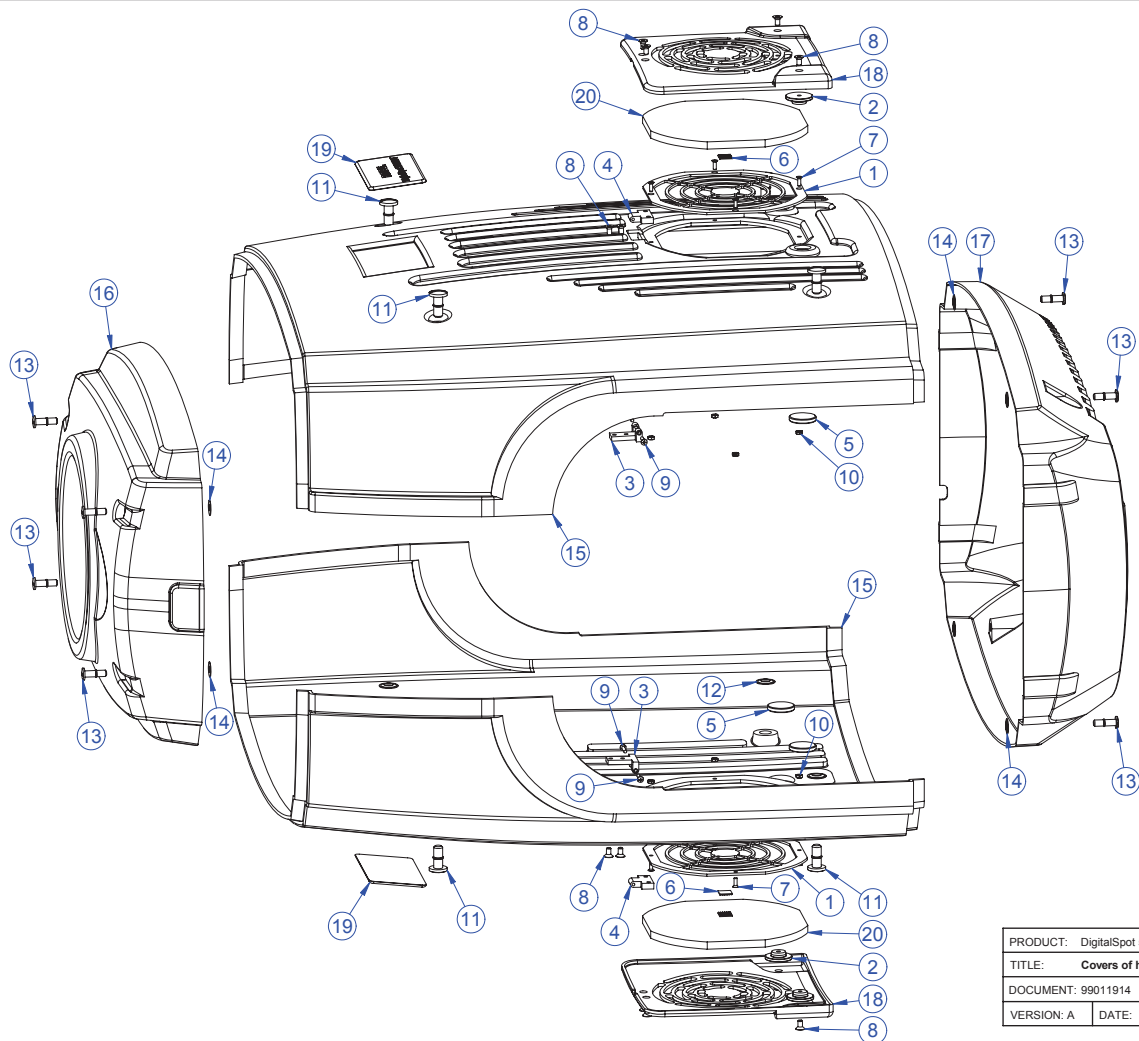
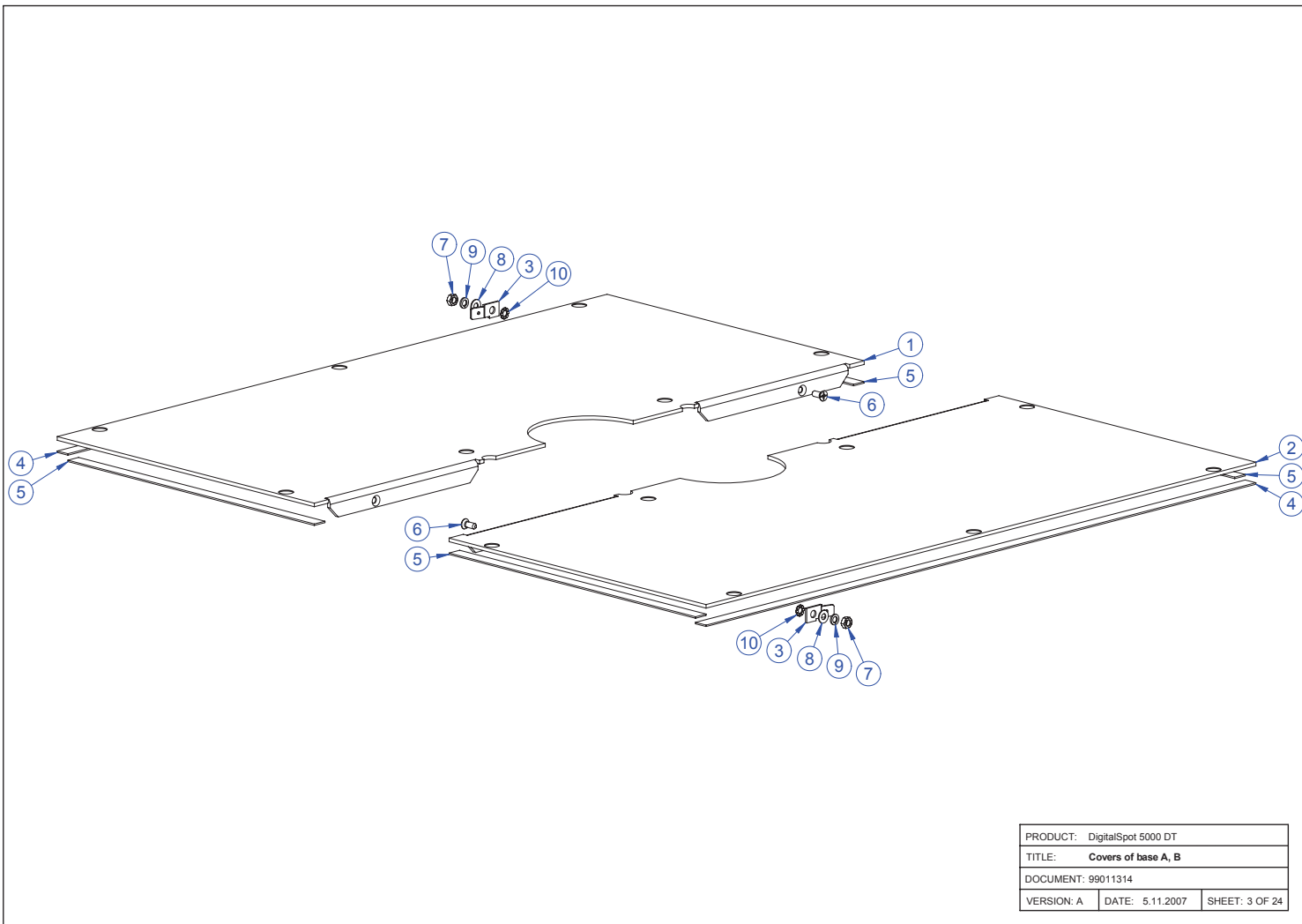


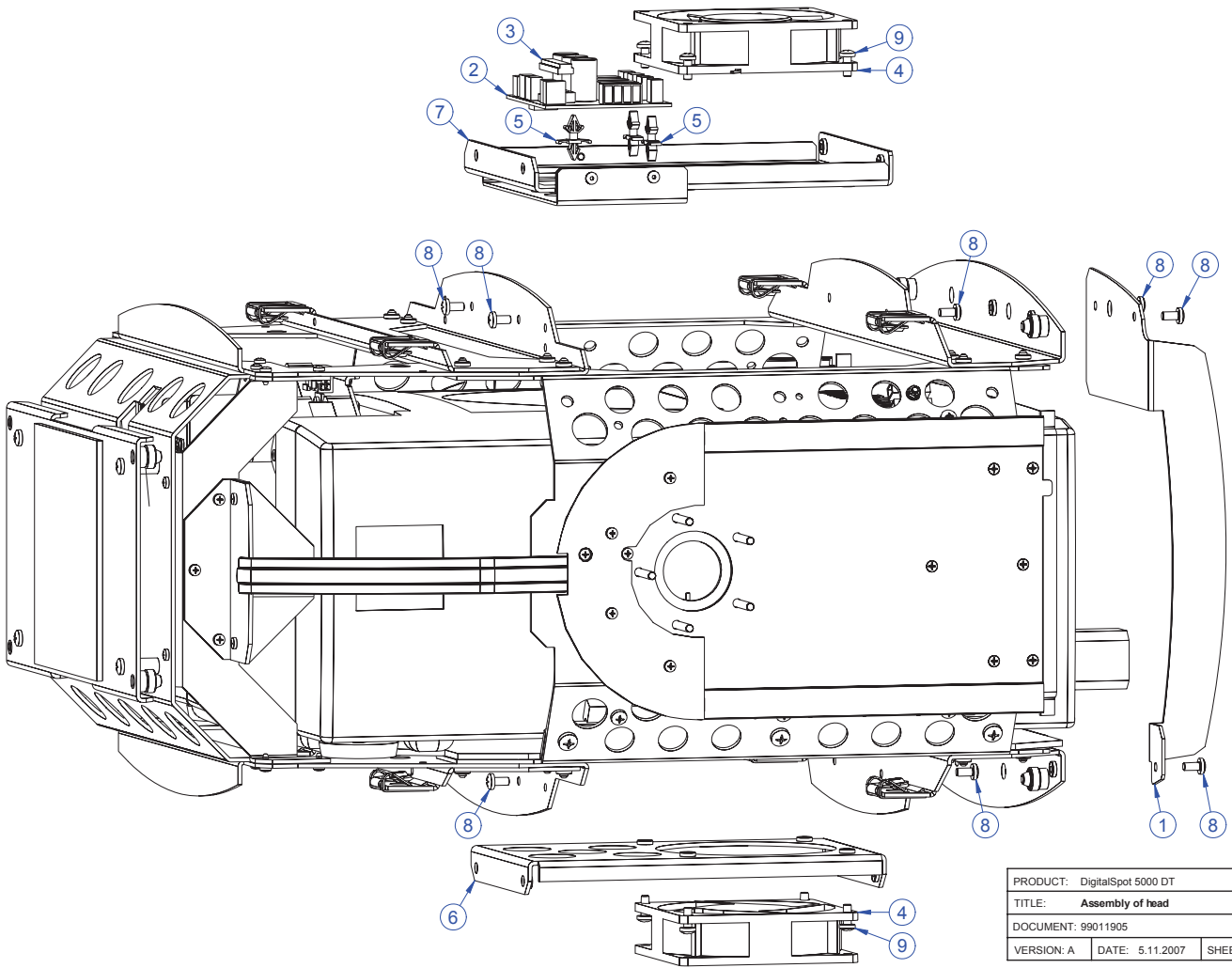
PRODUCT: DigitalSpot 5000 DT		
TITLE: Covers "assembled"		
DOCUMENT: 99011914		
VERSION: A	DATE: 5.11.2007	SHEET: 1 OF 24



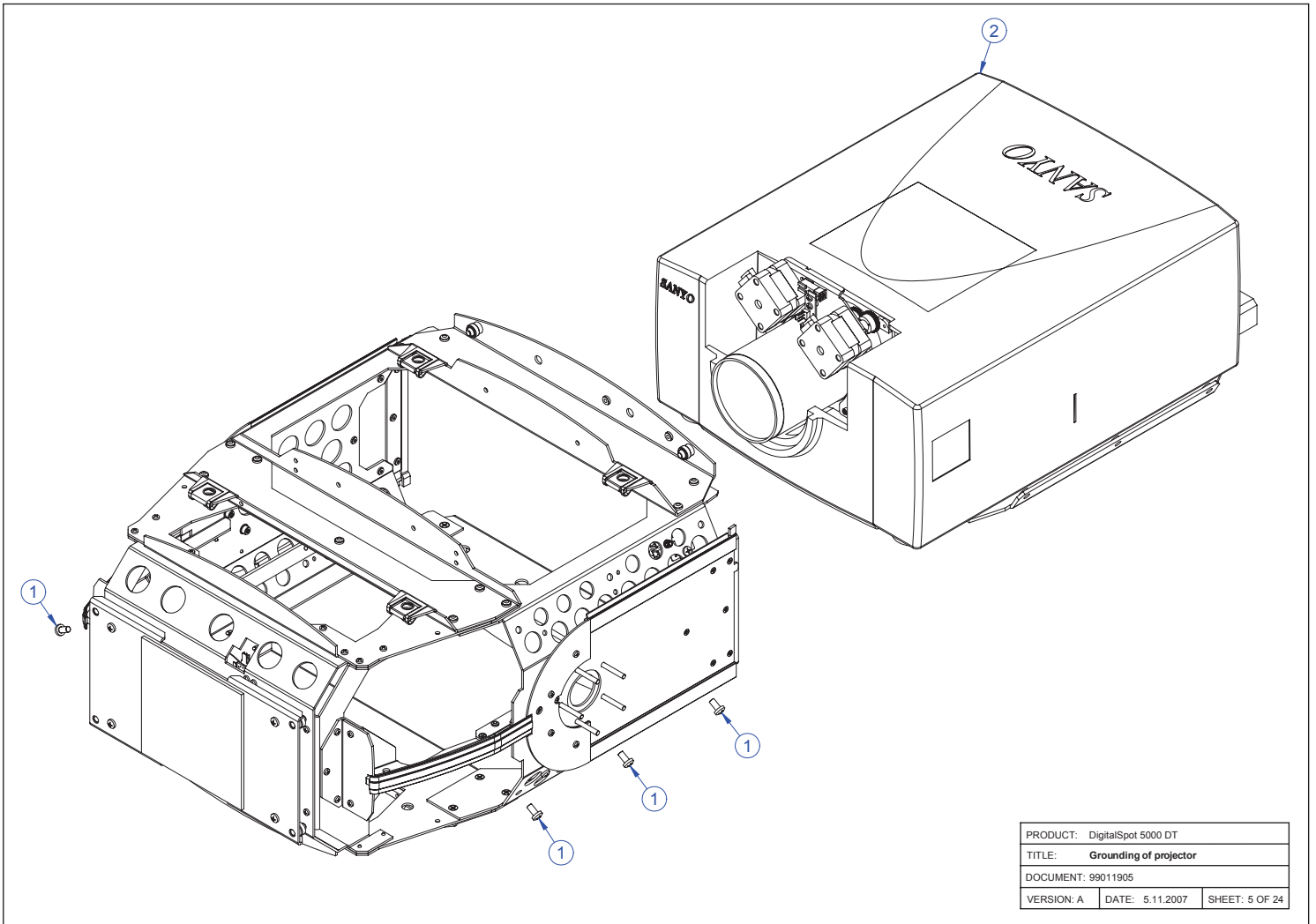
PRODUCT: DigitalSpot 5000 DT		
TITLE: Covers of head		
DOCUMENT: 99011914		
VERSION: A	DATE: 5.11.2007	SHEET: 2 OF 24



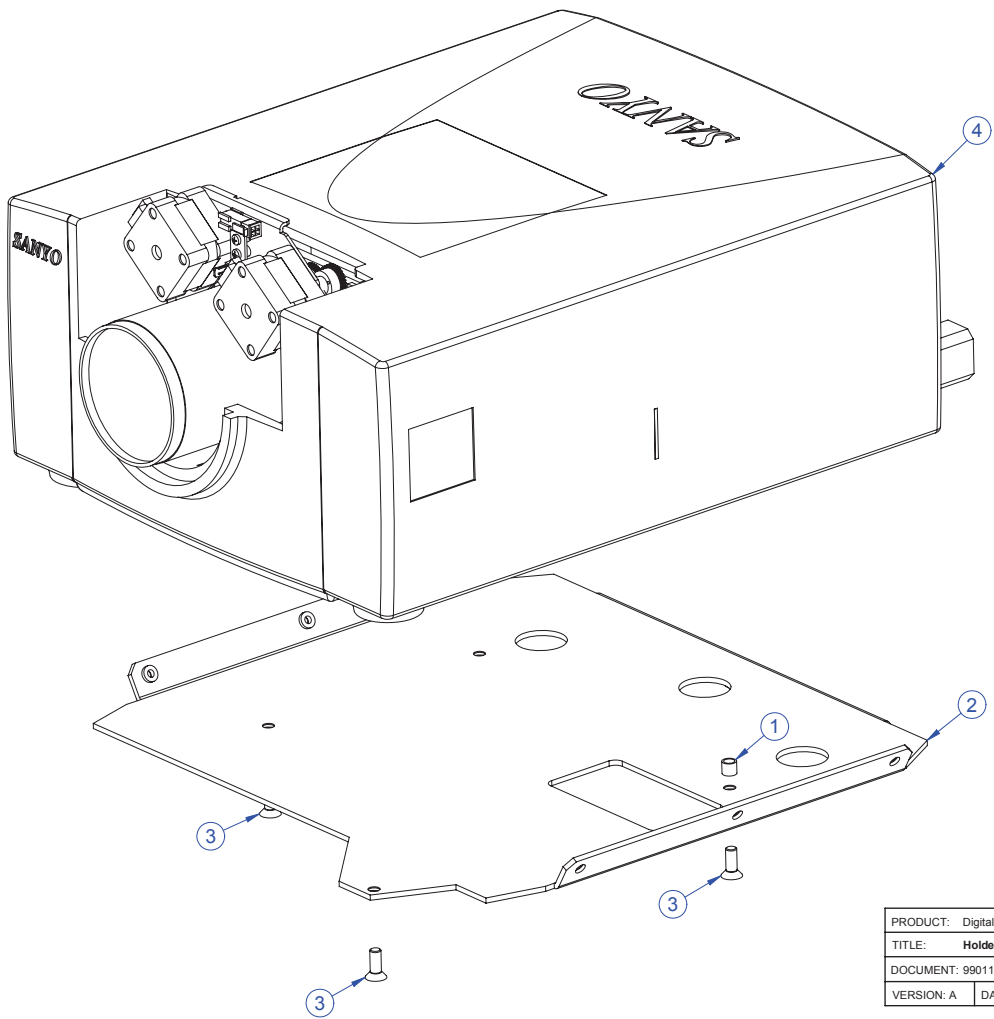
PRODUCT: DigitalSpot 5000 DT		
TITLE: Covers of base A, B		
DOCUMENT: 99011314		
VERSION: A	DATE: 5.11.2007	SHEET: 3 OF 24



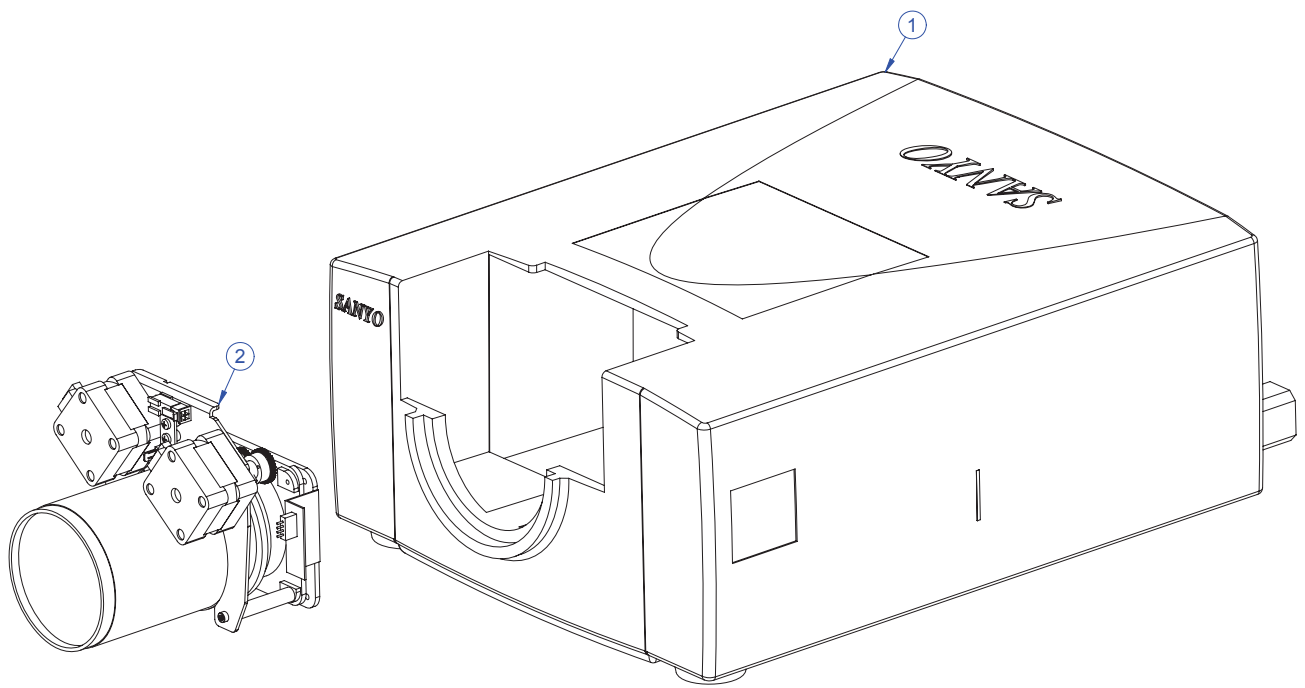
PRODUCT: DigitalSpot 5000 DT		
TITLE: Assembly of head		
DOCUMENT: 99011905		
VERSION: A	DATE: 5.11.2007	SHEET: 4 OF 24



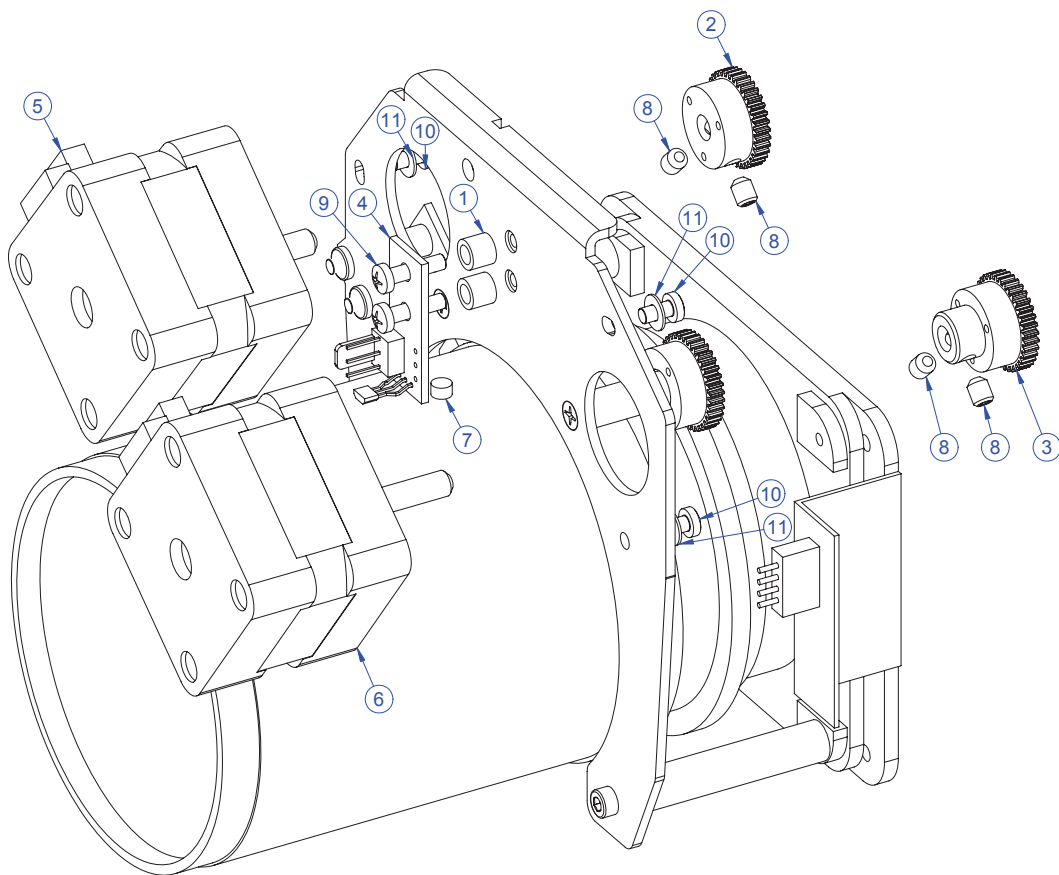
PRODUCT: DigitalSpot 5000 DT		
TITLE: Grounding of projector		
DOCUMENT: 99011905		
VERSION: A	DATE: 5.11.2007	SHEET: 5 OF 24



PRODUCT: DigitalSpot 5000 DT		
TITLE: Holder of projector		
DOCUMENT: 99011907		
VERSION: A	DATE: 5.11.2007	SHEET: 6 OF 24

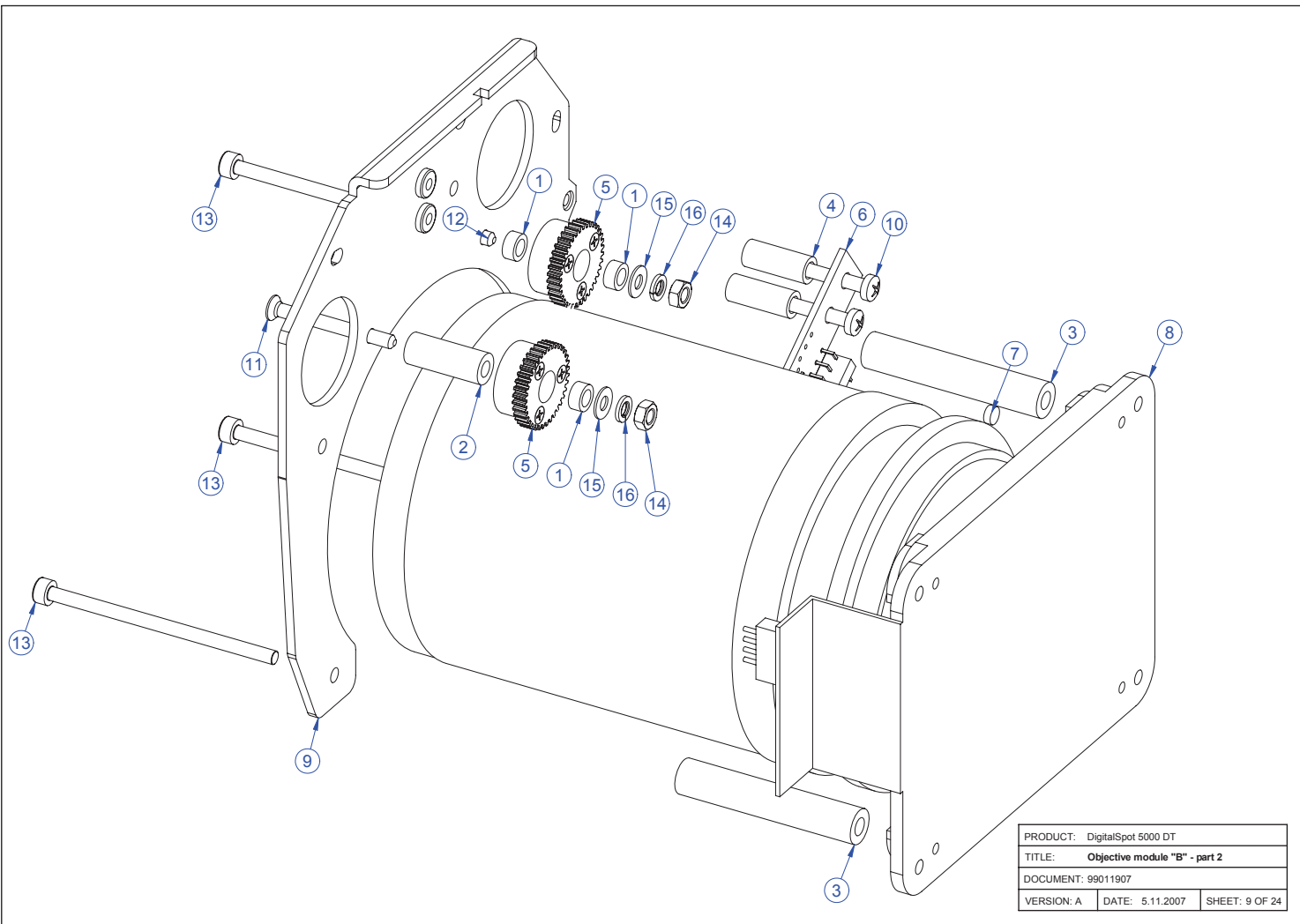


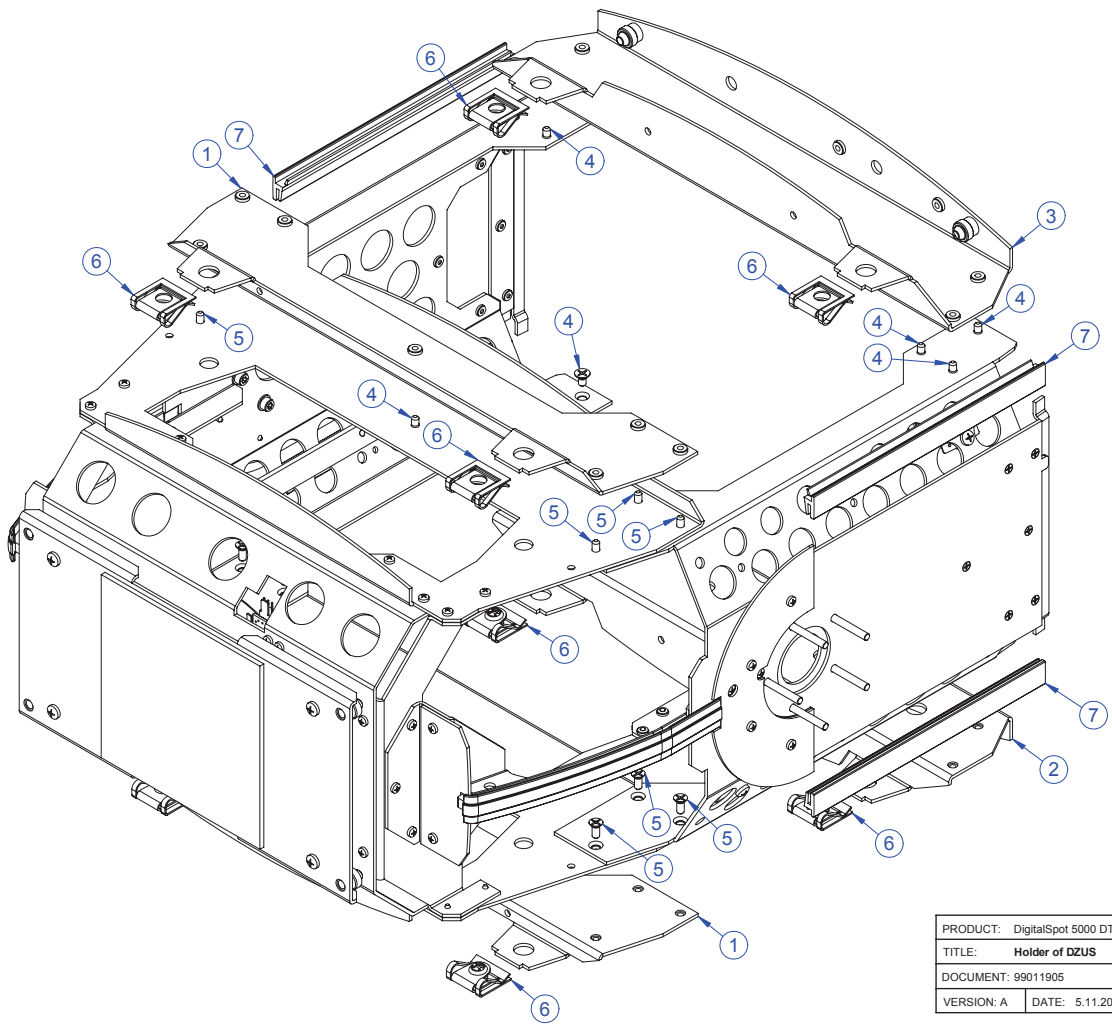
PRODUCT: DigitalSpot 5000 DT		
TITLE: Projector Sanyo with objective "B"		
DOCUMENT: 99011907		
VERSION: A	DATE: 5.11.2007	SHEET: 7 OF 24



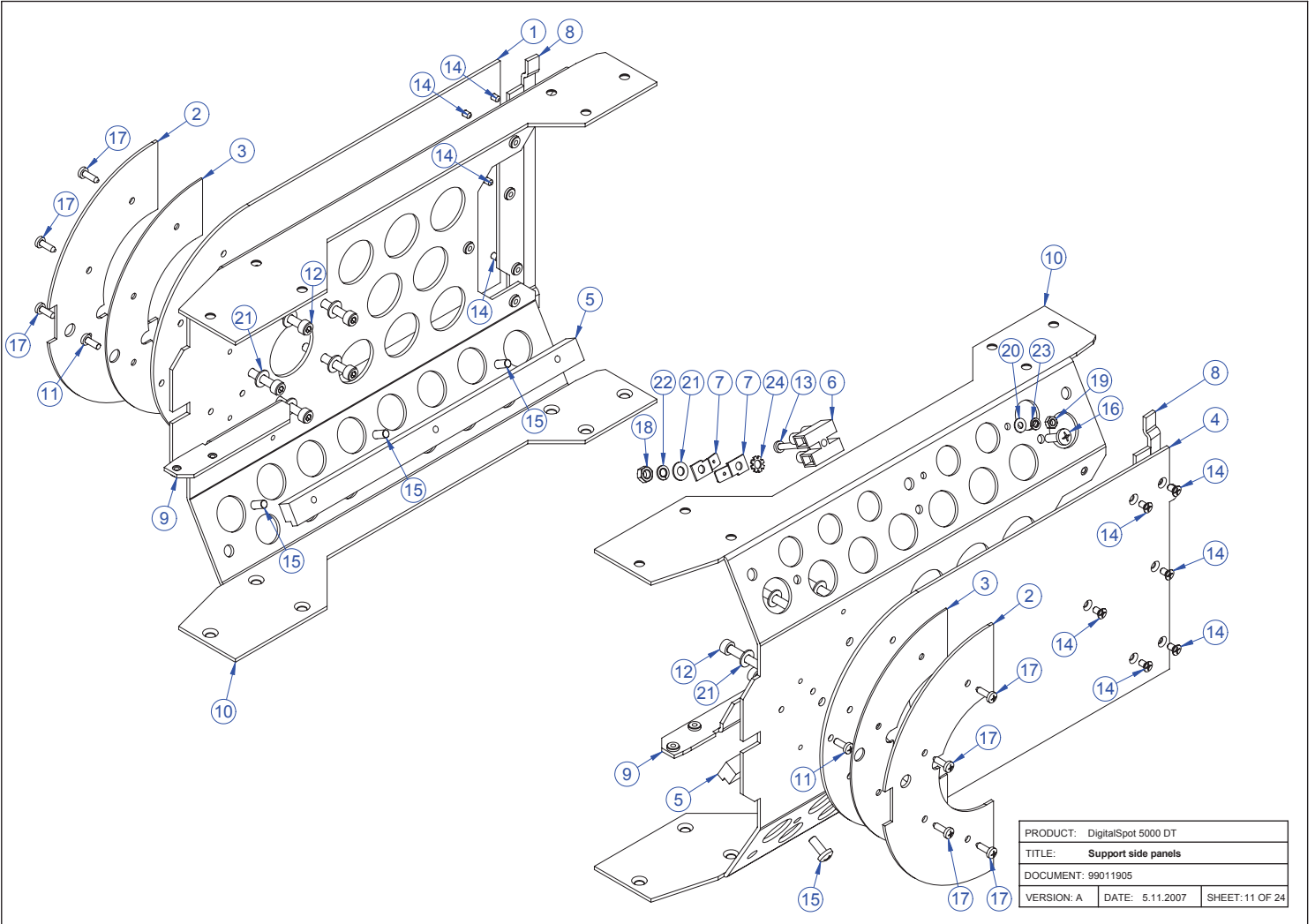
PRODUCT: DigitalSpot 5000 DT		
TITLE: Objective module "B" - part 1		
DOCUMENT: 99011907		
VERSION: A	DATE: 5.11.2007	SHEET: 8 OF 24

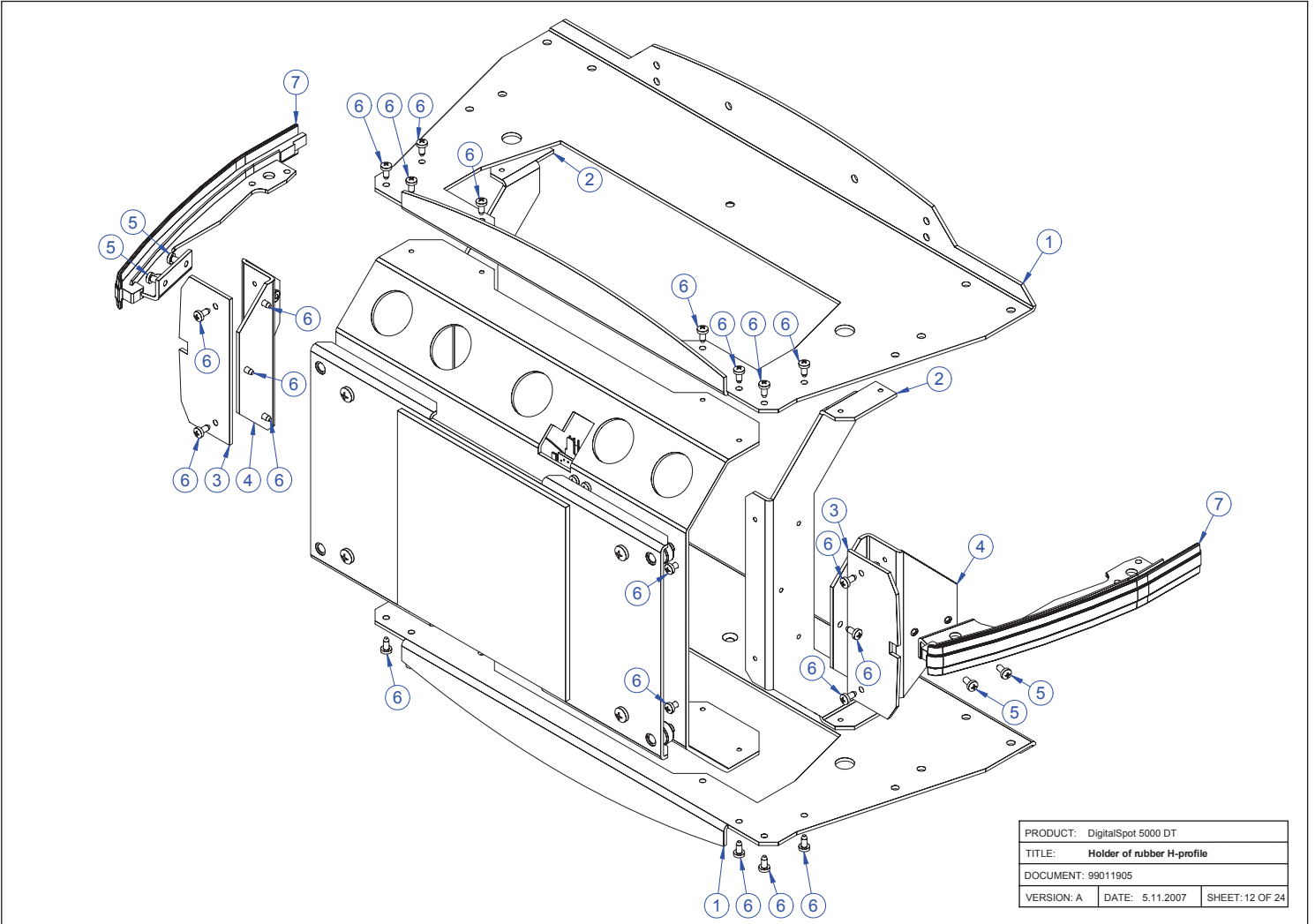




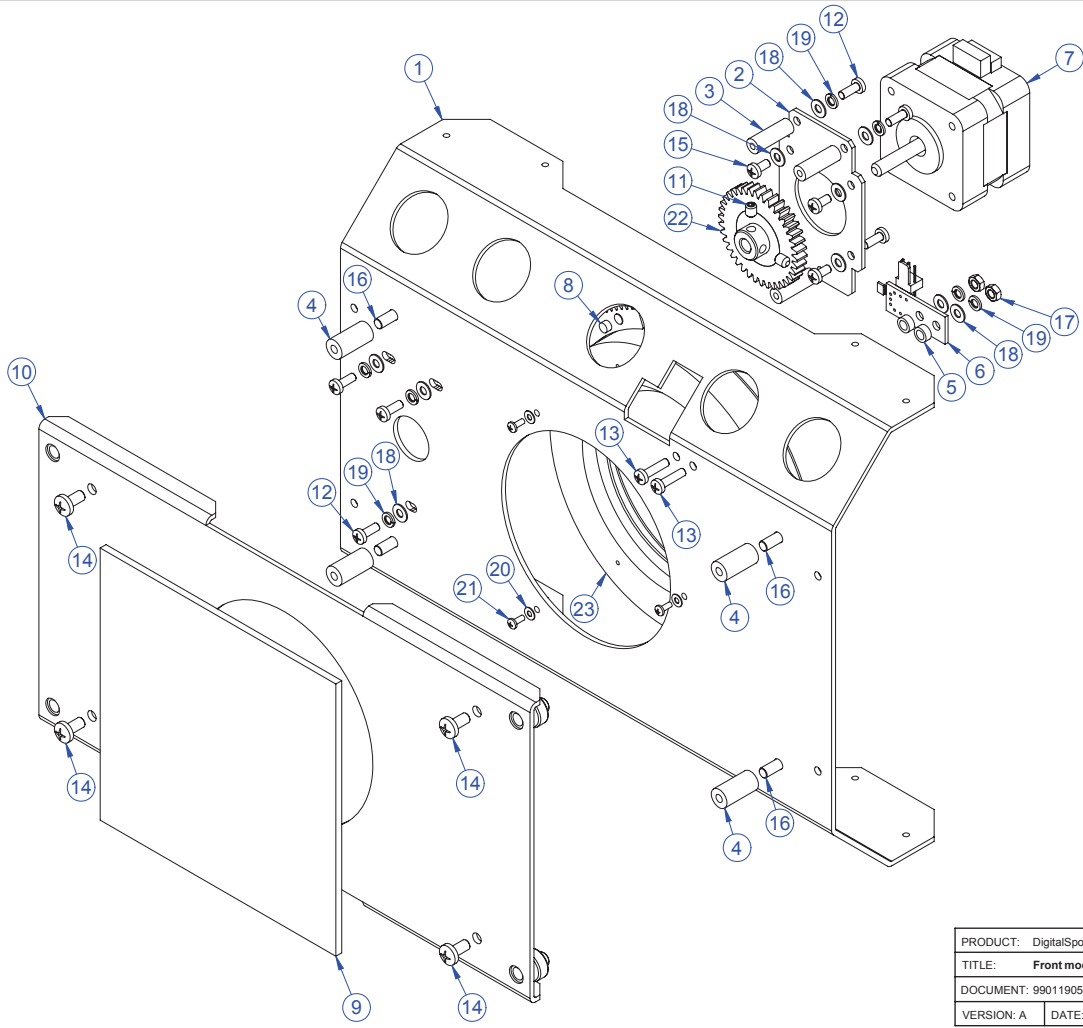


PRODUCT: DigitalSpot 5000 DT		
TITLE: Holder of DZUS		
DOCUMENT: 99011905		
VERSION: A	DATE: 5.11.2007	SHEET: 10 OF 24

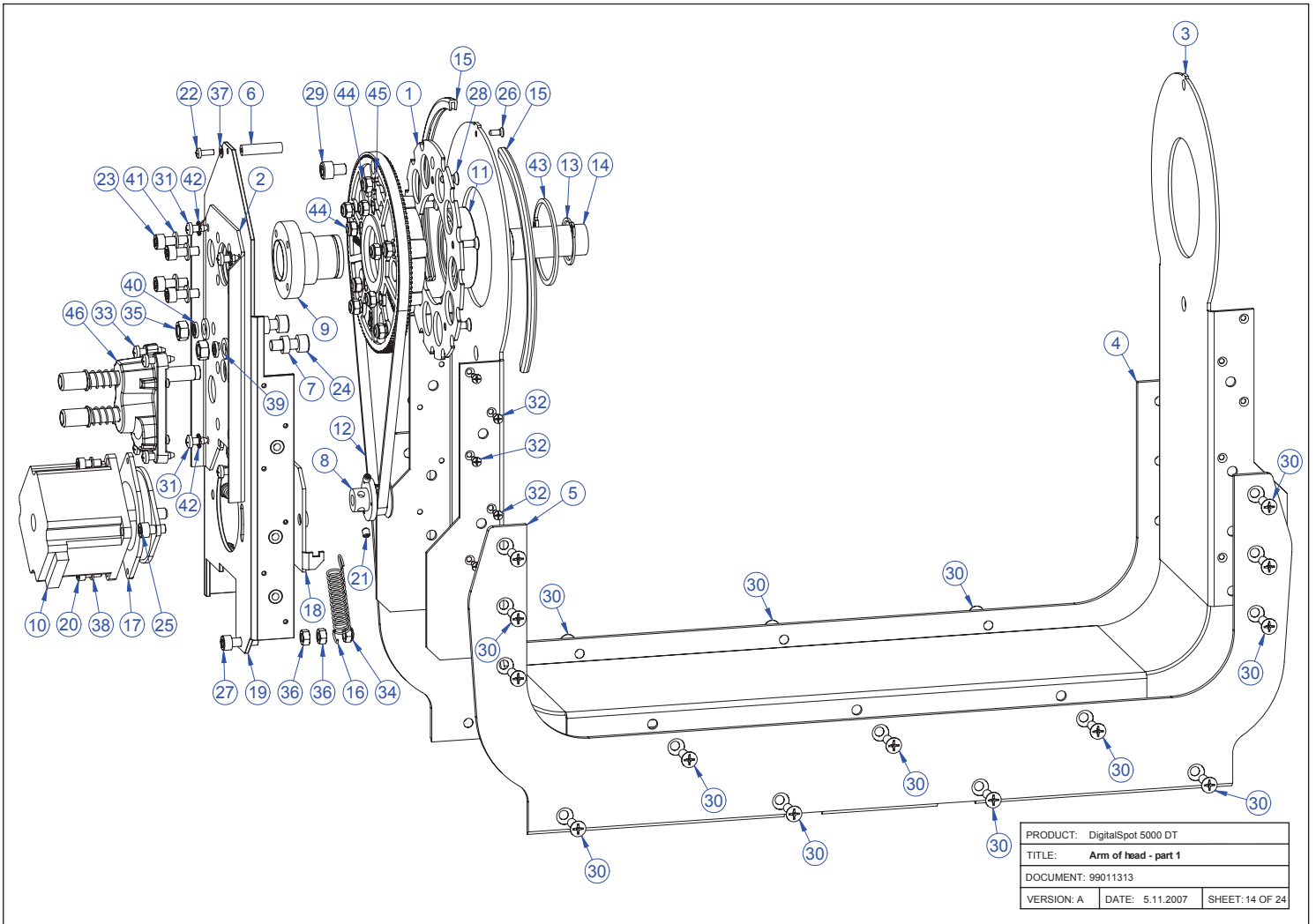


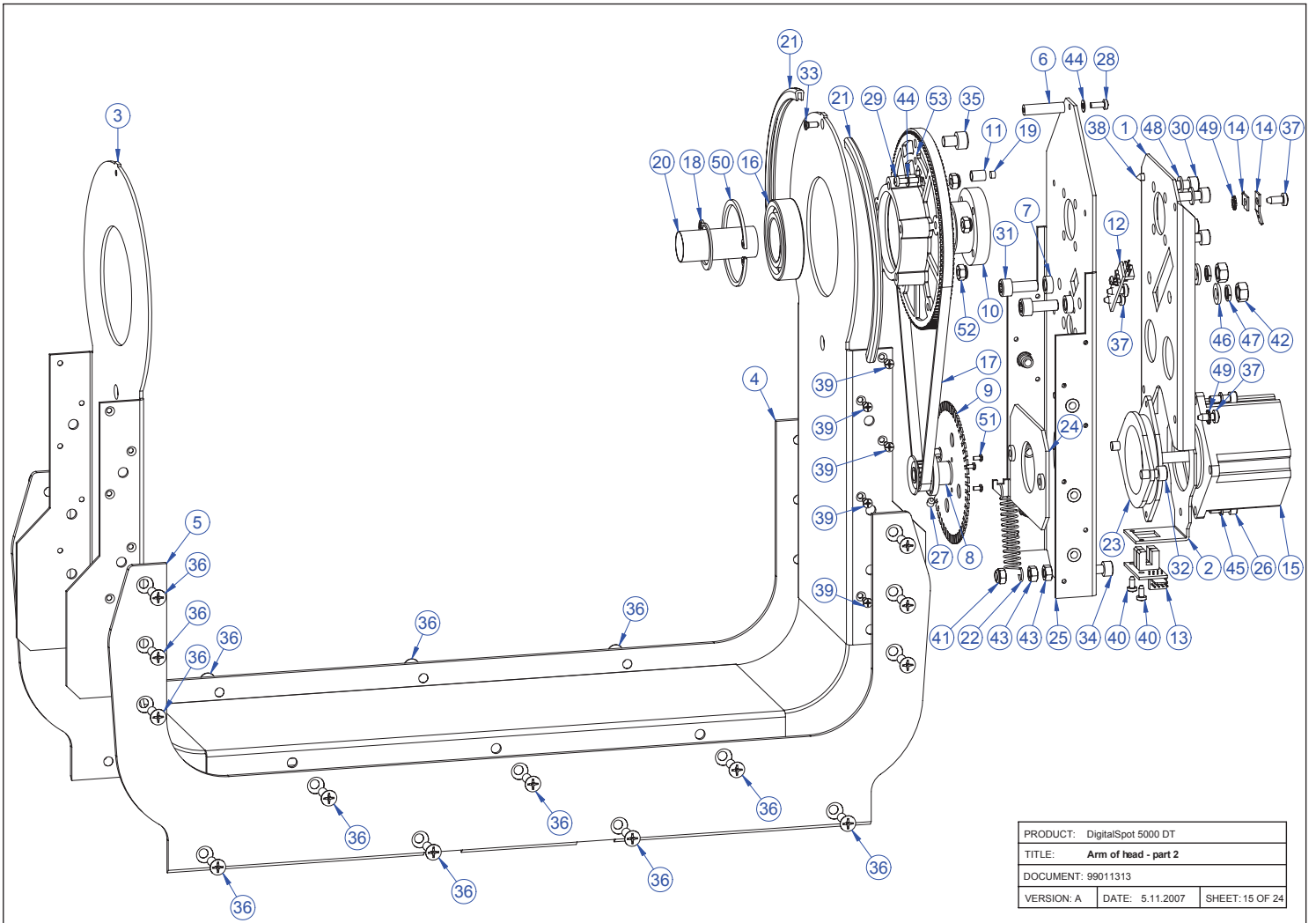


PRODUCT: DigitalSpot 5000 DT		
TITLE: Holder of rubber H-profile		
DOCUMENT: 99011905		
VERSION: A	DATE: 5.11.2007	SHEET: 12 OF 24

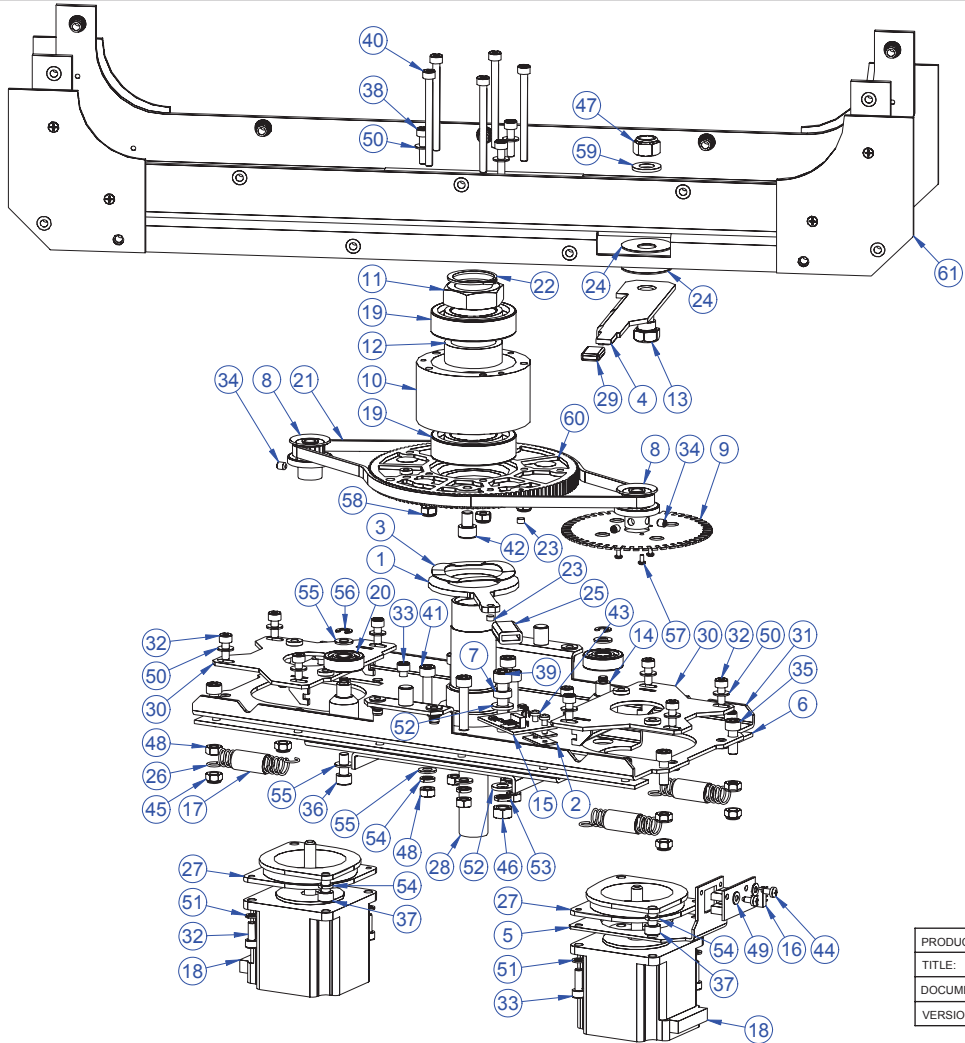


PRODUCT: DigitalSpot 5000 DT		
TITLE: Front module "B"		
DOCUMENT: 99011905		
VERSION: A	DATE: 5.11.2007	SHEET: 13 OF 24



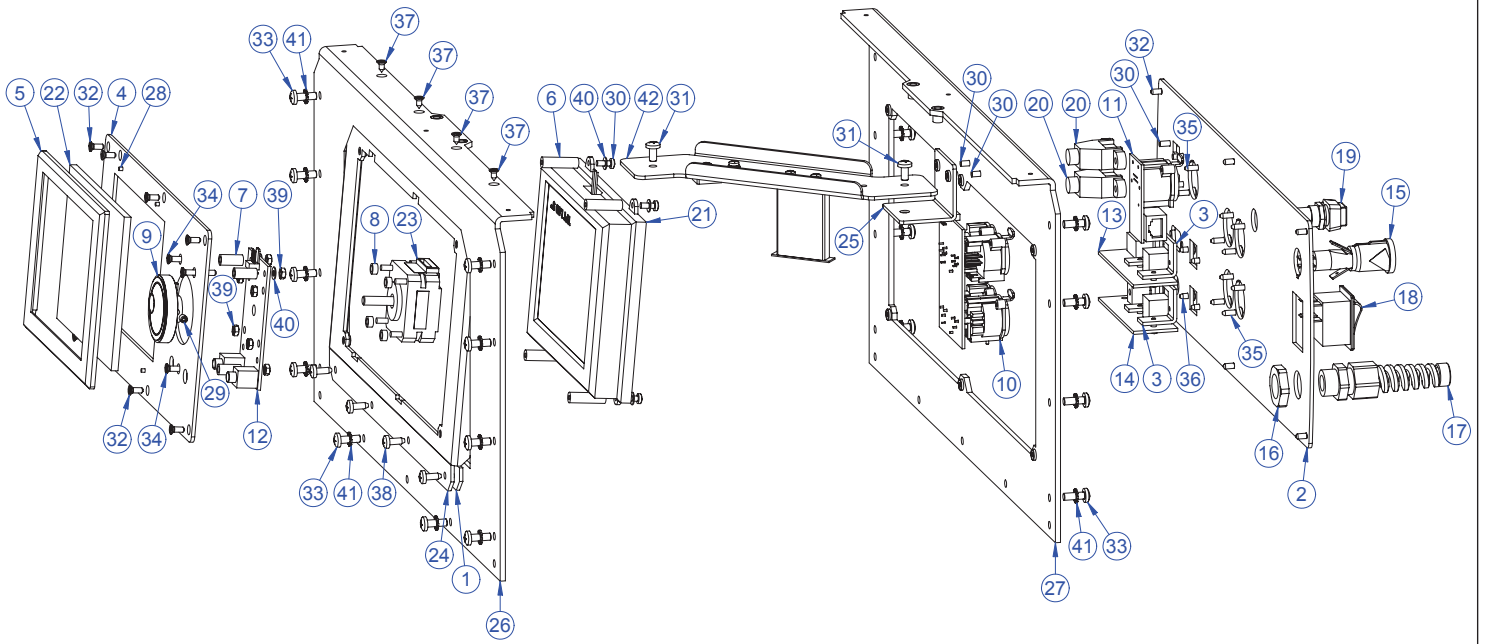


PRODUCT: DigitalSpot 5000 DT		
TITLE: Arm of head - part 2		
DOCUMENT: 99011313		
VERSION: A	DATE: 5.11.2007	SHEET: 15 OF 24

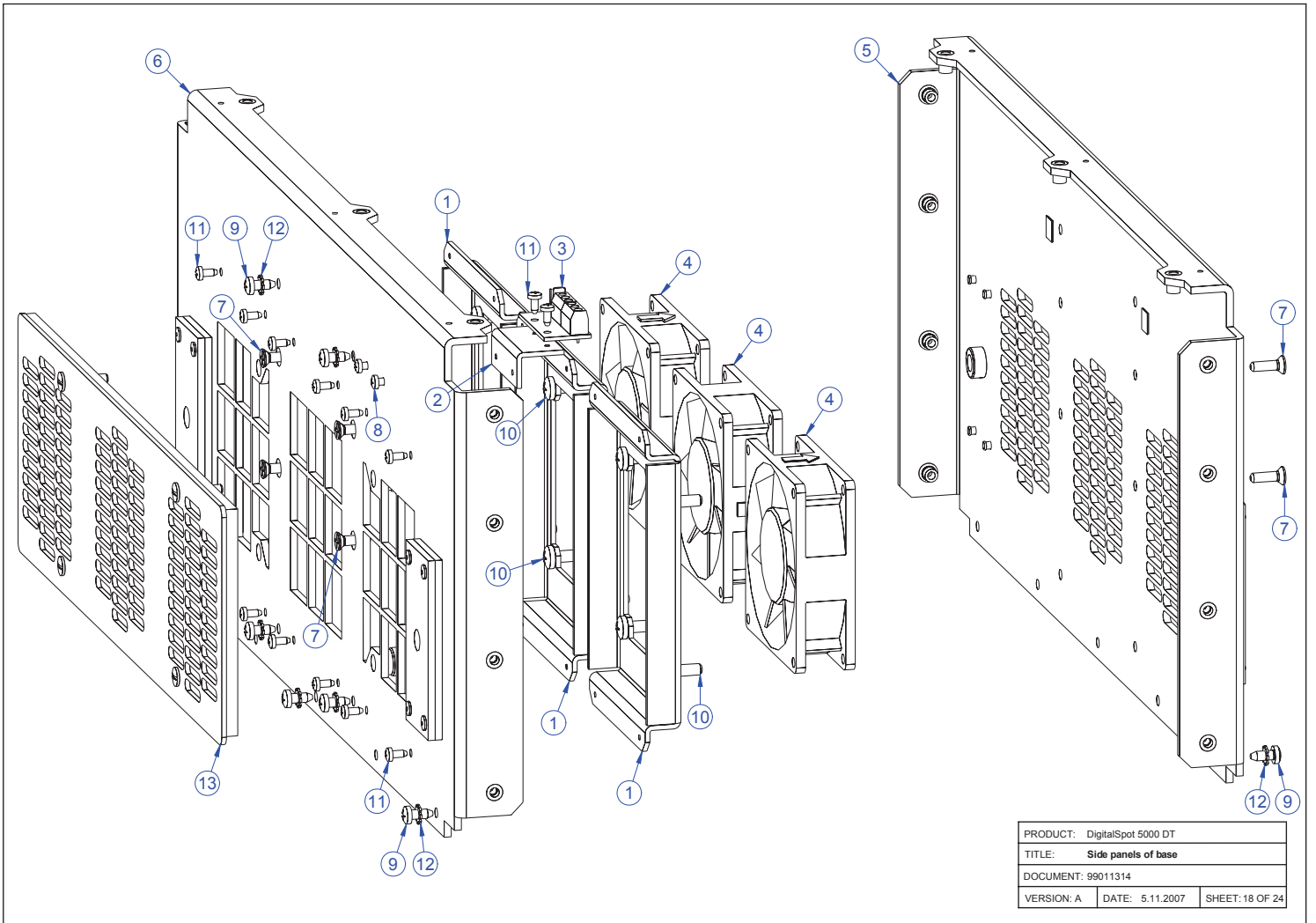


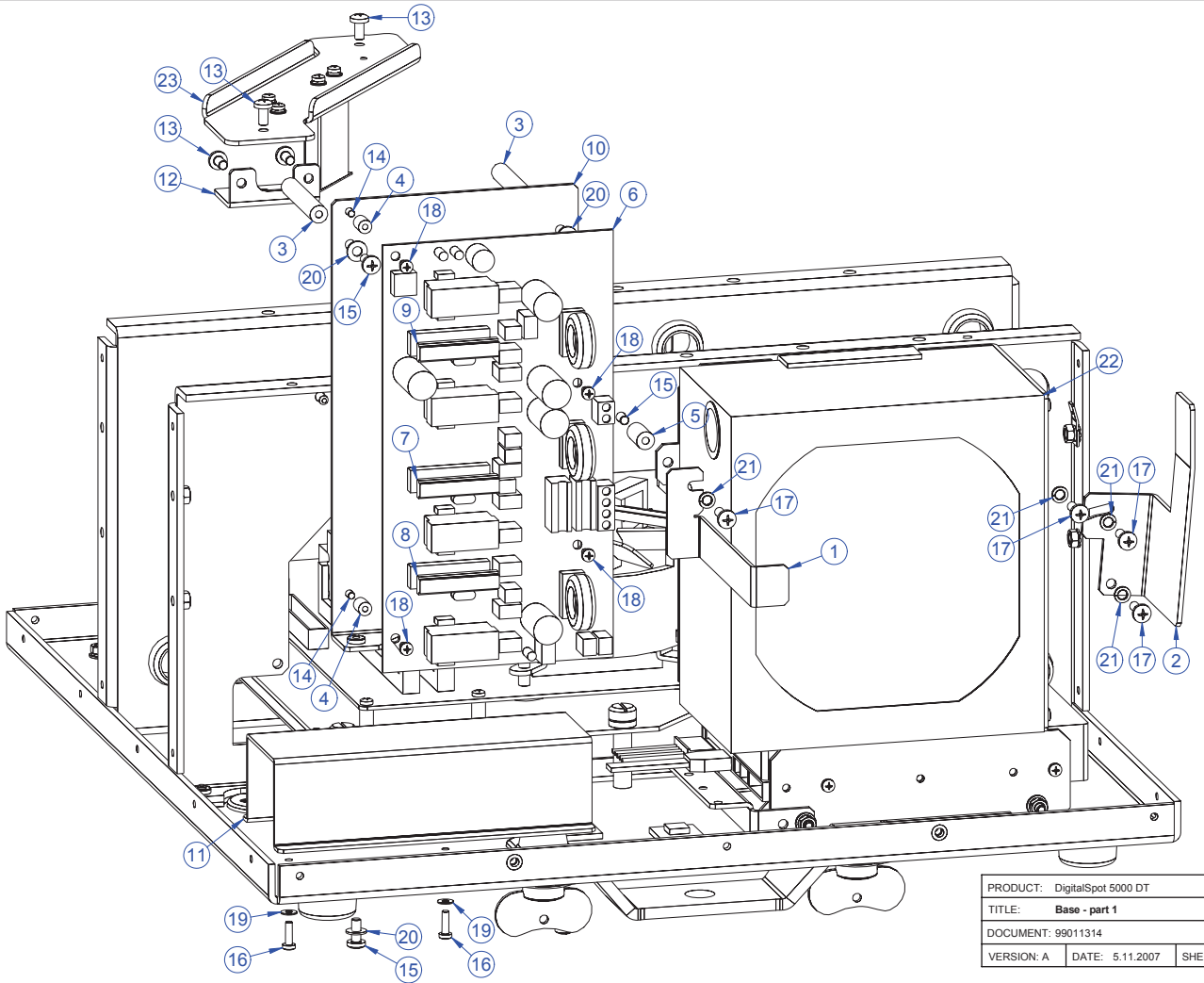
PRODUCT: DigitalSpot 5000 DT		
TITLE: Axe "X"		
DOCUMENT: 99011317		
VERSION: A	DATE: 5.11.2007	SHEET: 16 OF 24



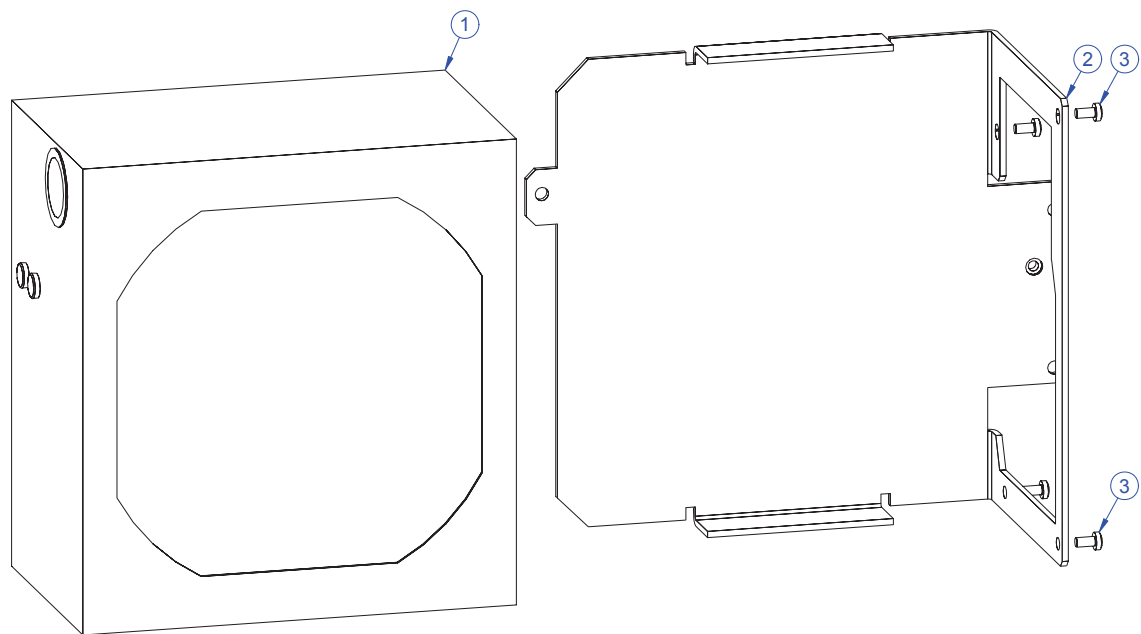


PRODUCT: DigitalSpot 5000 DT		
TITLE: Front and rear panel of base		
DOCUMENT: 99011314		
VERSION: A	DATE: 5.11.2007	SHEET: 17 OF 24

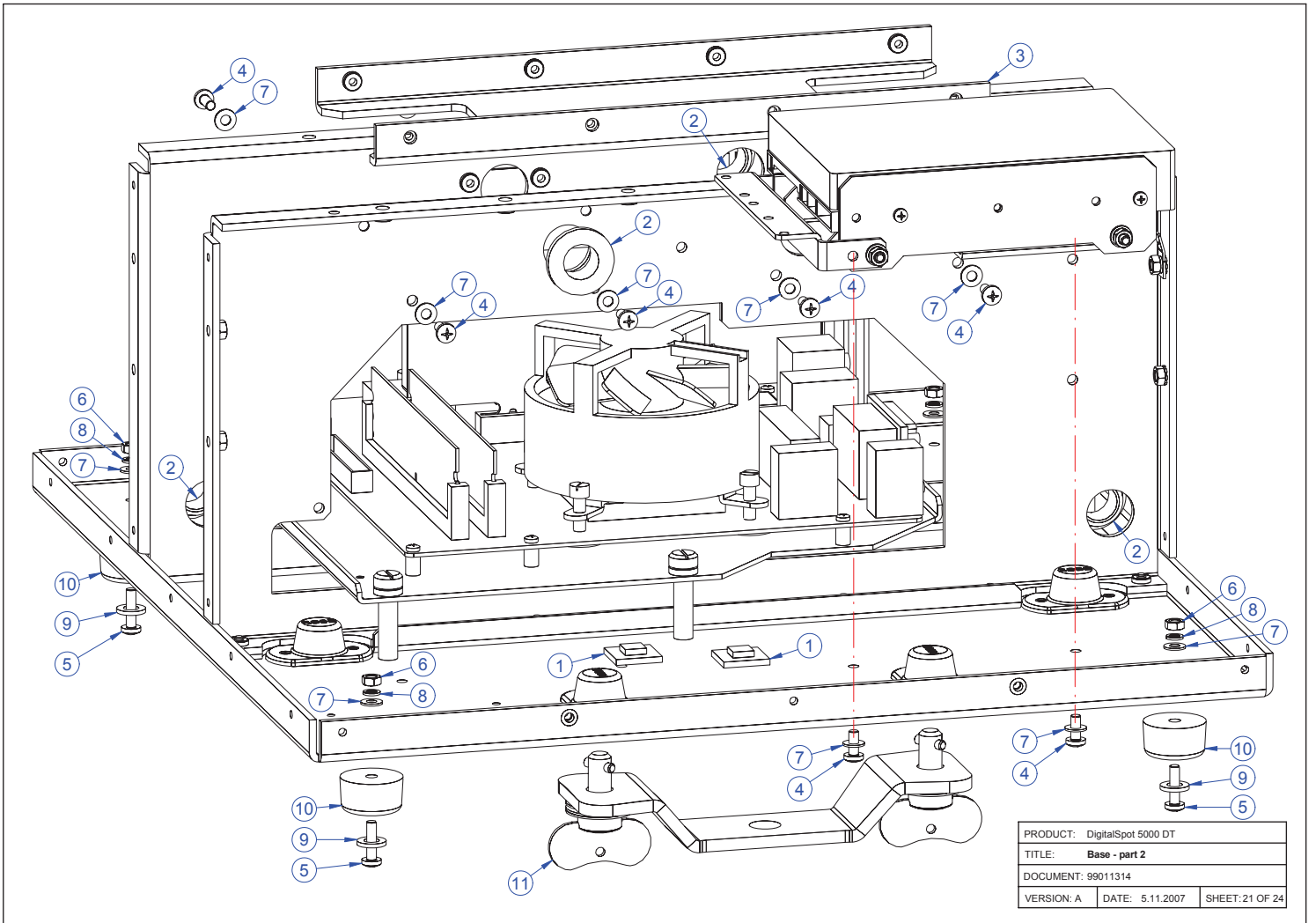




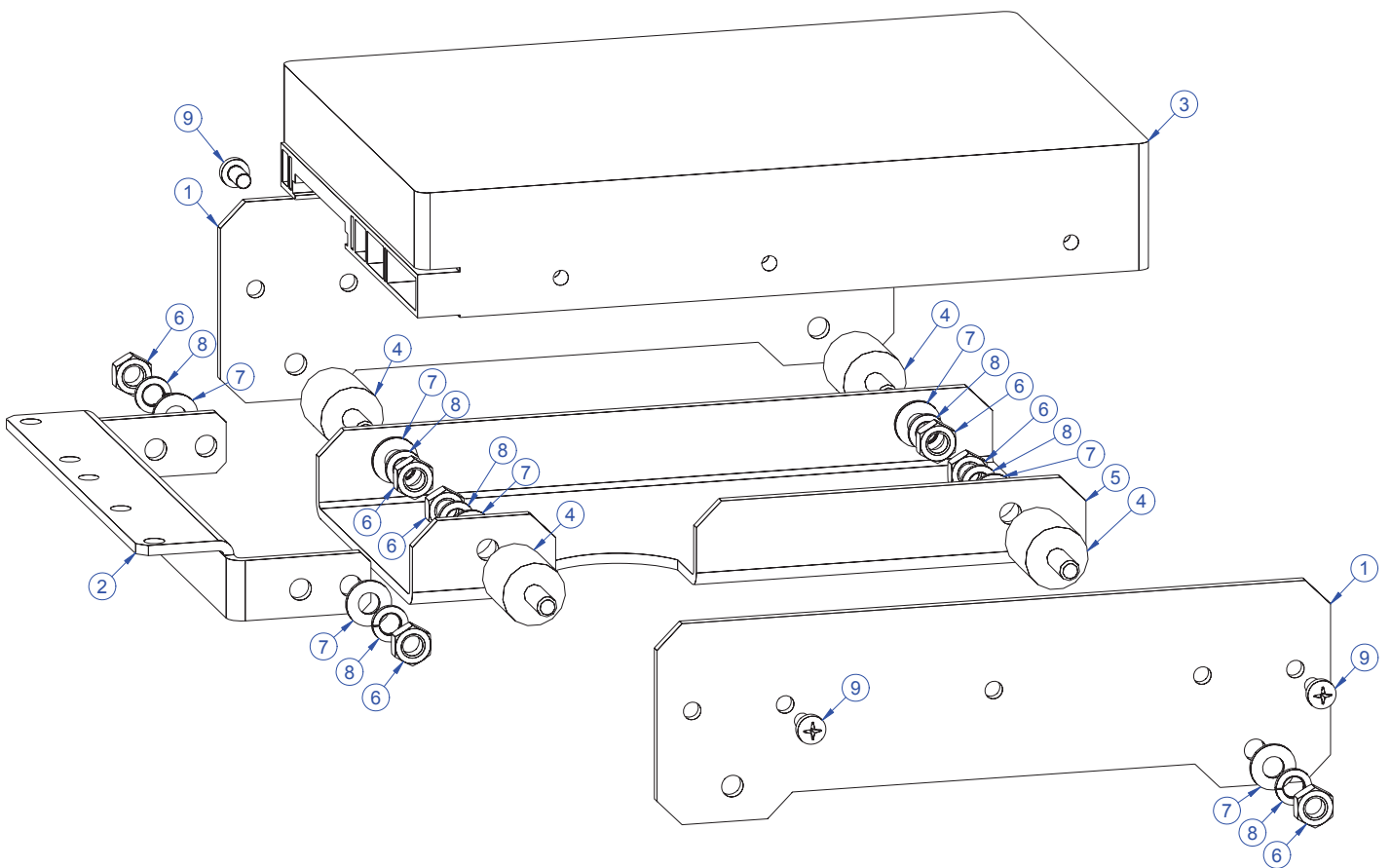
PRODUCT: DigitalSpot 5000 DT		
TITLE: Base - part 1		
DOCUMENT: 99011314		
VERSION: A	DATE: 5.11.2007	SHEET: 19 OF 24



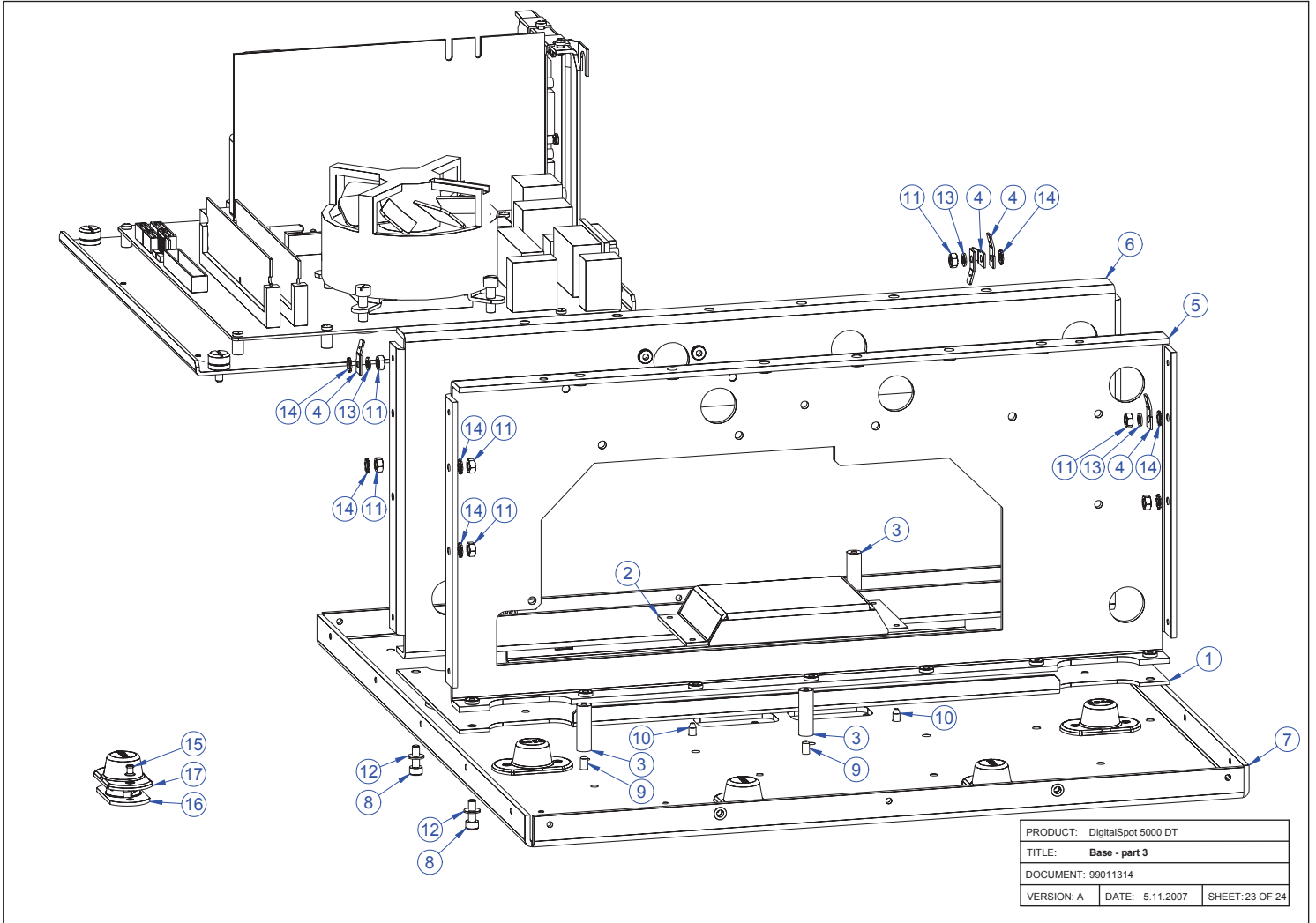
PRODUCT: DigitalSpot 5000 DT		
TITLE: Power supply Forbn 500W with holder		
DOCUMENT: 99011314		
VERSION: A	DATE: 5.11.2007	SHEET: 20 OF 24

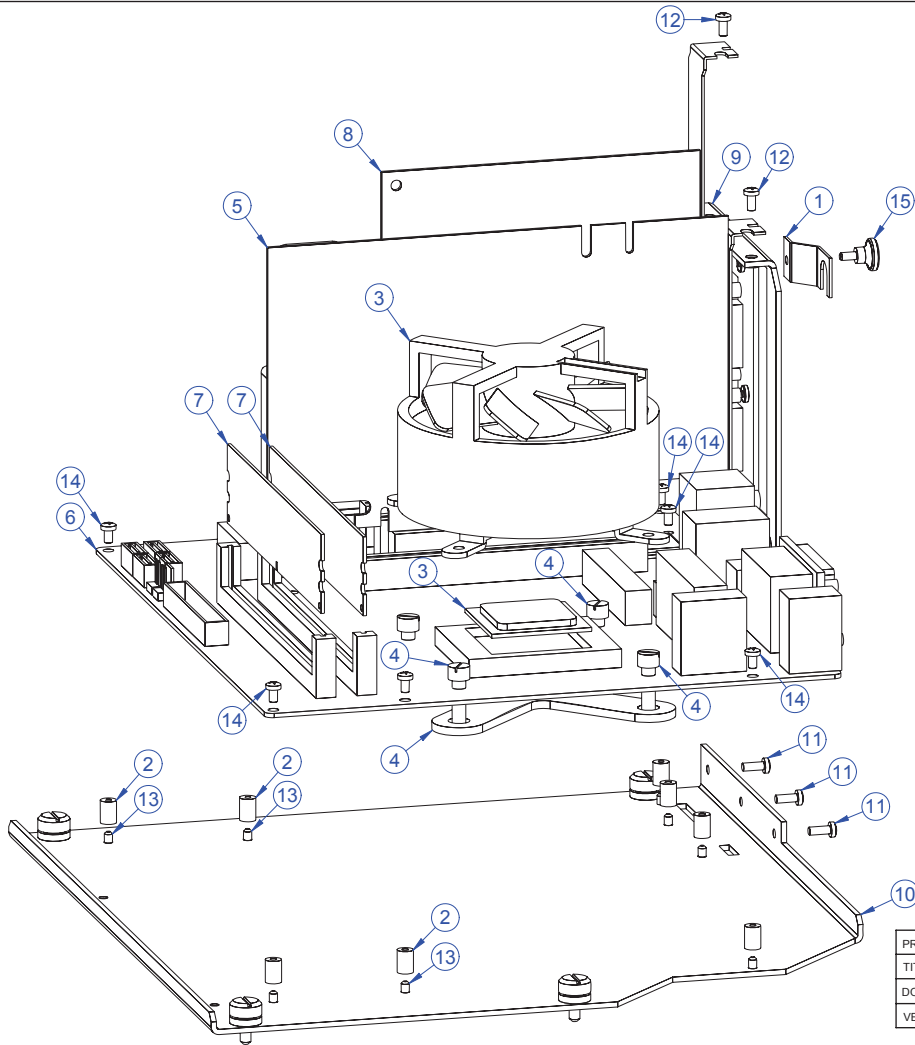


PRODUCT: DigitalSpot 5000 DT		
TITLE: Base - part 2		
DOCUMENT: 99011314		
VERSION: A	DATE: 5.11.2007	SHEET: 21 OF 24



PRODUCT: DigitalSpot 5000 DT		
TITLE: Grounding of hard drive		
DOCUMENT: 99011314		
VERSION: A	DATE: 5.11.2007	SHEET: 22 OF 24





PRODUCT: DigitalSpot 5000 DT		
TITLE: <b>Motherboard module</b>		
DOCUMENT: 99011314		
VERSION: A	DATE: 5.11.2007	SHEET: 24 OF 24